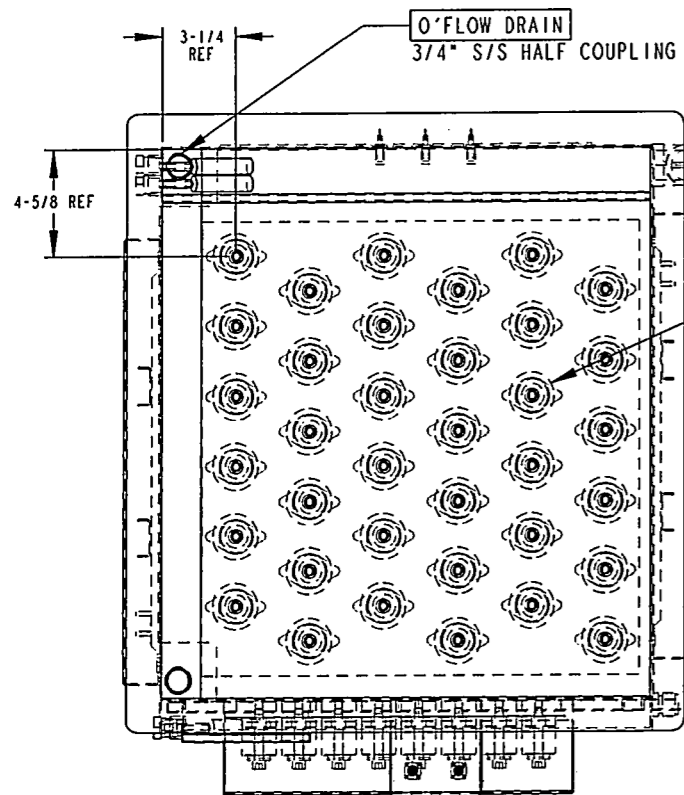


DATE	SYM	REVISION RECORD	AUTH	DRW	CHK
4/10/05	A	CHANGE REF DWG	NCLEE	NCLEE	NCLEE



BONDING JIG - 25KHZ 1500W
WASH TANK - BOTTOM
REF DWG M4323-J-01

SPARGER BRACKET
REF DWG COM-T-008

▲ SURFACE SPARGER
REF DWG M4323-T-10

LIQ. LEVEL HOUSING
REF DWG COM-T-002

LIP VENT COVER PLATE
REF DWG COM-T-003
TABLE ITEM OC1622 LIP VENT COVER PLATE

FOR LIP VENT IF REQUIRED
REF DWG COM-T-004
TABLE ITEM OC1622 LIP VENT PLENUM

SAFETY O'FLOW
1\"/>

IKW STRIP HEATER MOUNTING BRACKET
REF DWG COM-S-002
TABLE ITEM 4
2 PLACES

TANK - WASH TANK TRANSDUCER SHIELD
REF DWG M4323-T-05

HEATER SHIELD
REF DWG COM-S-007
TABLE ITEM HS-1KW-4-ASM
2 PLACES

TANK-WASH TANK TRANSDUCER SIDE SHIELD
REF DWG M4323-T-06

TANK - COAXIAL CABLE BRACKET
REF DWG M4323-T-09
USE 25KHZ BRACKET

BONDING JIG - 25KHZ 1000W
WASH TANK - SIDE
REF DWG M4323-J-02

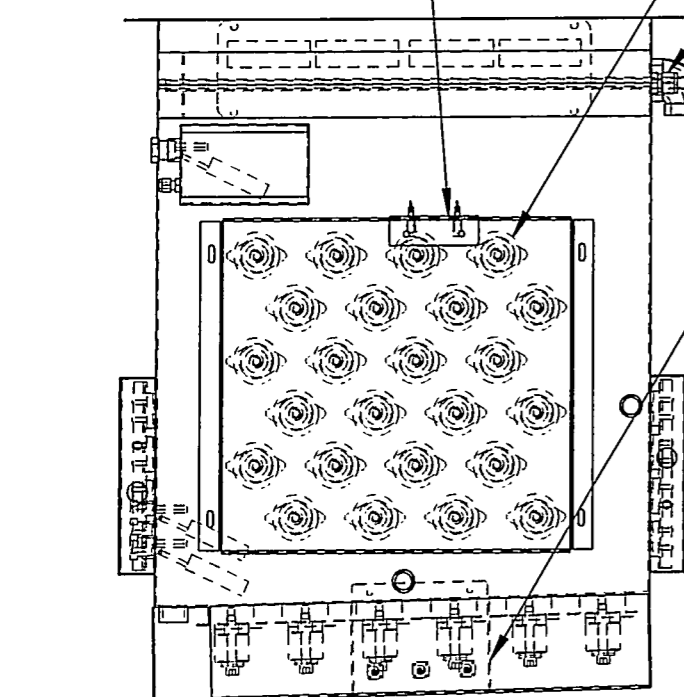
1/2\"/>

DRAIN
3/4\"/>

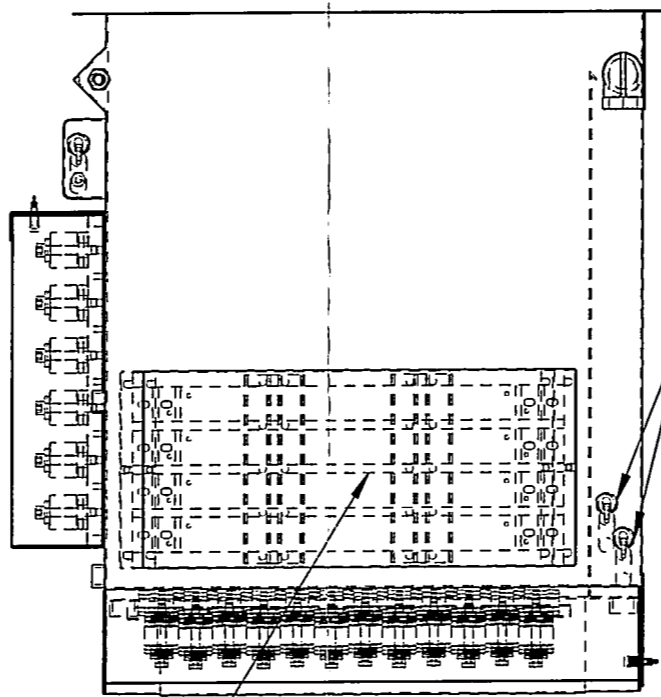
FILL
1/2\"/>

RECIRC RETURN
1/2\"/>

SCALE 0.120



COAXIAL CABLE BRACKET
REF DWG COM-T-019
FOR 40, 68, 132KHz
USED ITEM CCB-2-A-BNC
FOR 25KHz USED ITEM CCB-2-B-BNC



AUTOFILL LIQ. LEVEL
1/2\"/>

4 X 1000W STRIP HTR BOTH SIDE
8000W HEAT TOTAL

ITEM	STOCK #	DESCRIPTION	QTY
6	21-05-004	1\"/>	1
5	21-28-014	3/4\"/>	2
4	21-28-013	1/2\"/>	5
3	21-28-011	1/4\"/>	1
2	D3-31-100	1/2\"/>	1
1	D3-31-101	1/4\"/>	1

BILL OF FITTING USED

ADVANCED CERAMICS TECHNOLOGY (M) SDN. BHD.
A CREST GROUP COMPANY

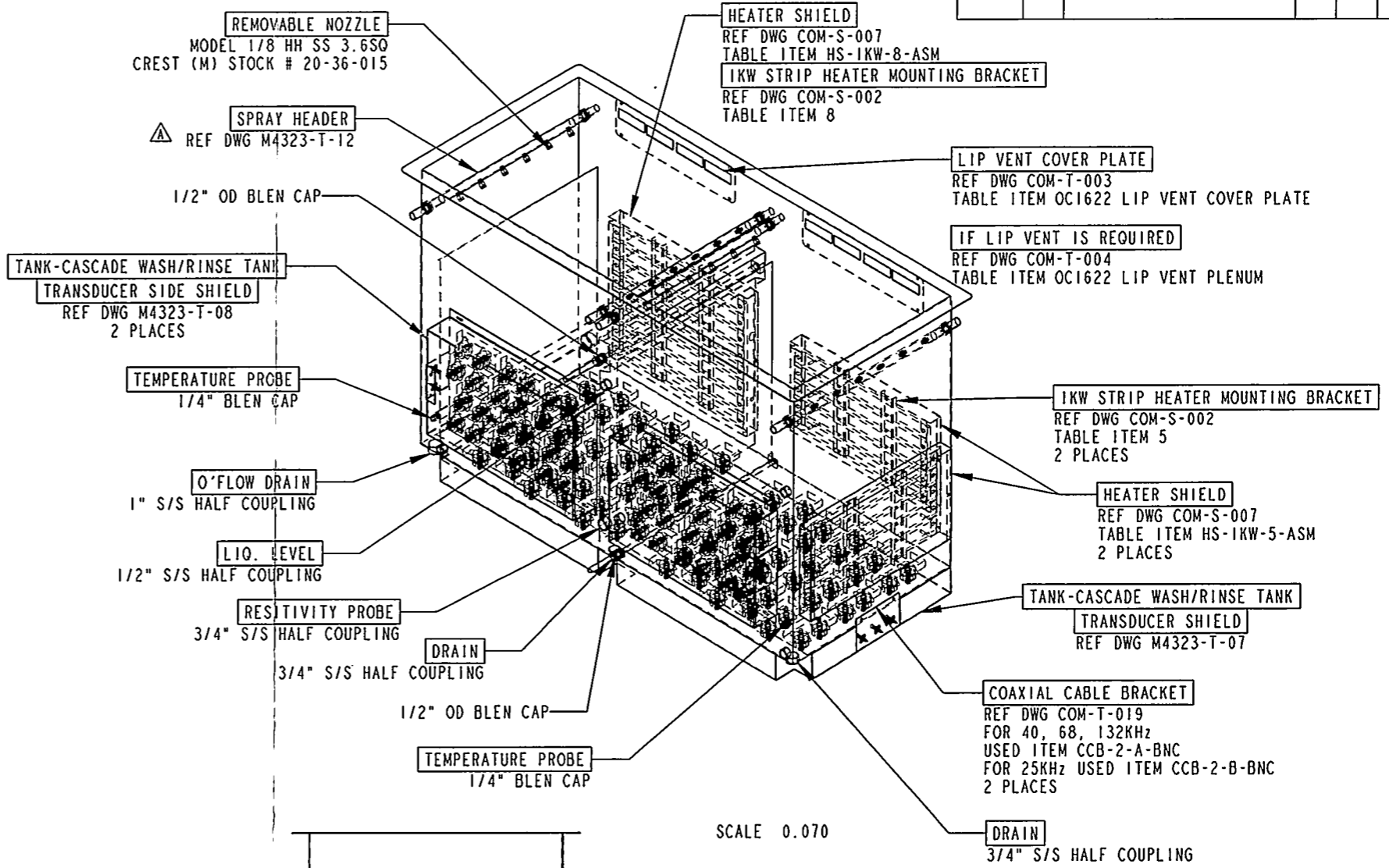
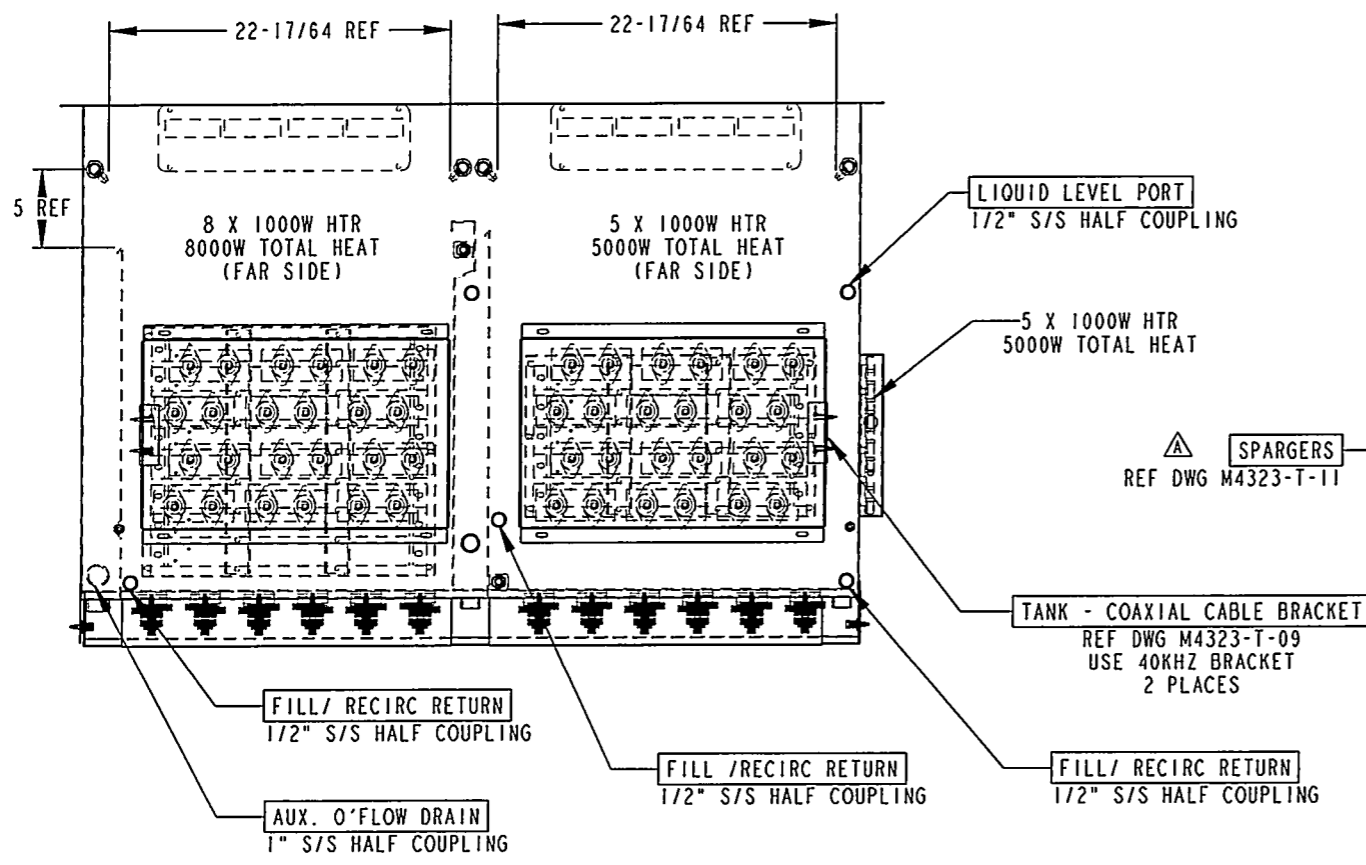
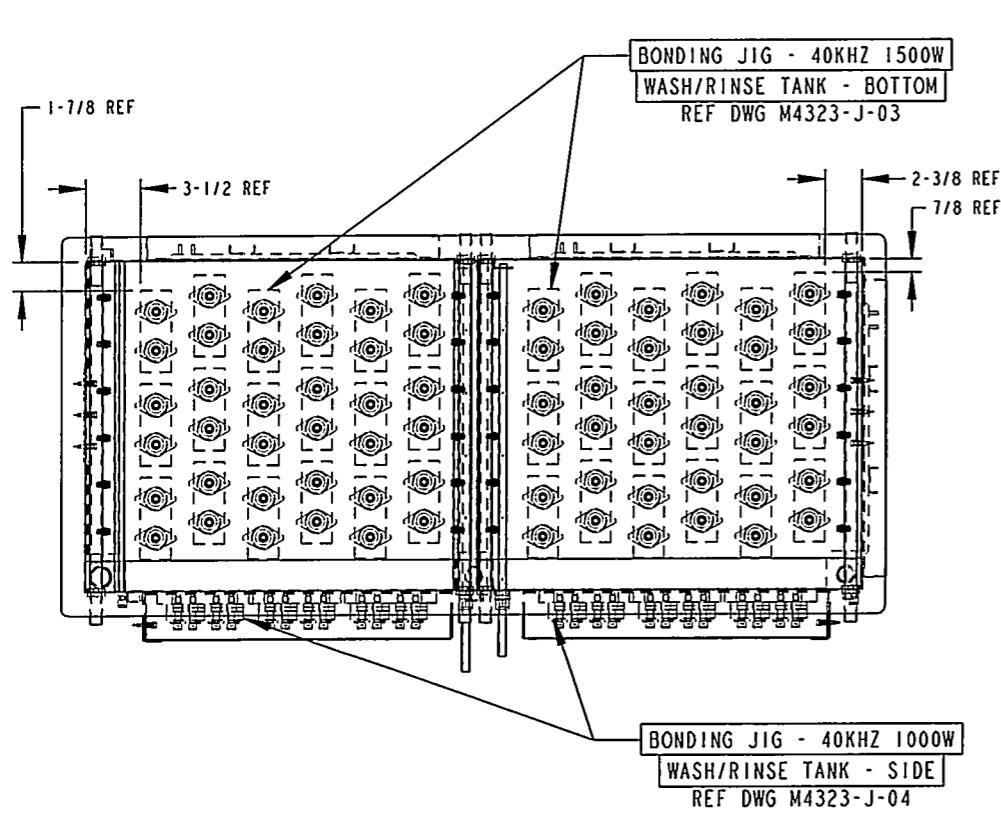
PLOT 120 & 121, JALAN PERUSAHAAN, BUKIT TENGAH INDUSTRIAL PARK, 14000 BUKIT MERTAJAM, PENANG, MALAYSIA

OPERATION		PLACES IN DIMENSION	PROJECT	SCALE	DESIGNED	DATE
MACHINING	±.03 ±.01 ±.002	.0 .00 .000	EIFELER COATING	0.12:1	NC LEE	27 SEP 2005
CUT-OFF (SAW, BURN, SHEAR)	±.1 ±.04		SEE NOTES	PAPER SIZE A3	NC LEE	27 SEP 2005
FABRICATION	±.06 ±.03 ±.015		MATERIAL	FINISHING	TH KAM	4/10/05
WELDING	±.1 ±.06		TITLE		TH KAM	4/10/05
ANGULAR DIM	±1°		TANK - 2121 WASH TANK GENERAL ASSEMBLY			

DRAWING NUMBER
M4323-T-01

REV.
A

DATE	SYM	REVISION RECORD	AUTH	DRW	CHK
4/10/05	A	CHANGE REF DWG	NCLEE	NCLEE	NCLEE



SCALE 0.070

ITEM	STOCK #	DESCRIPTION	QTY
5	21-28-015	1" S/S HALF COUPLING	2
4	21-28-014	3/4" S/S HALF COUPLING	3
3	21-28-013	1/2" S/S HALF COUPLING	5
2	D3-31-100	1/2" OD BLEN CAP	2
1	D3-31-101	1/4" OD BLEN CAP	2

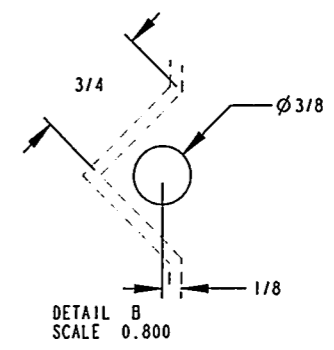
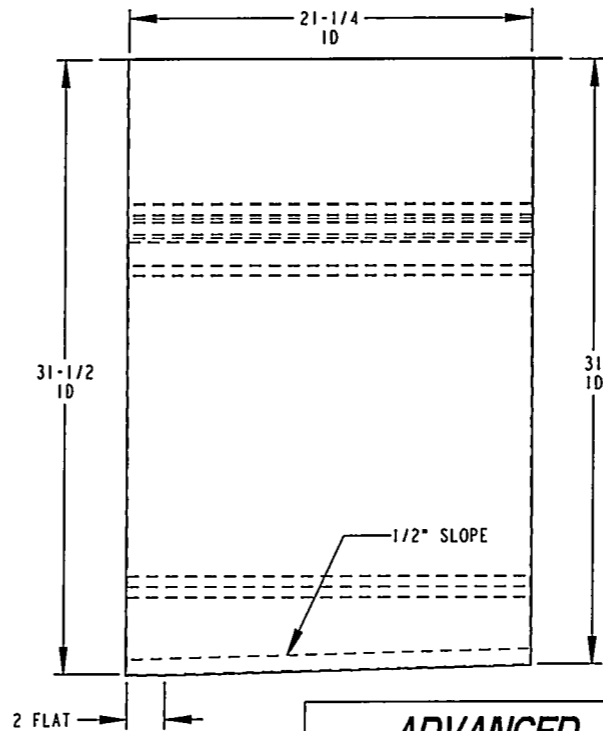
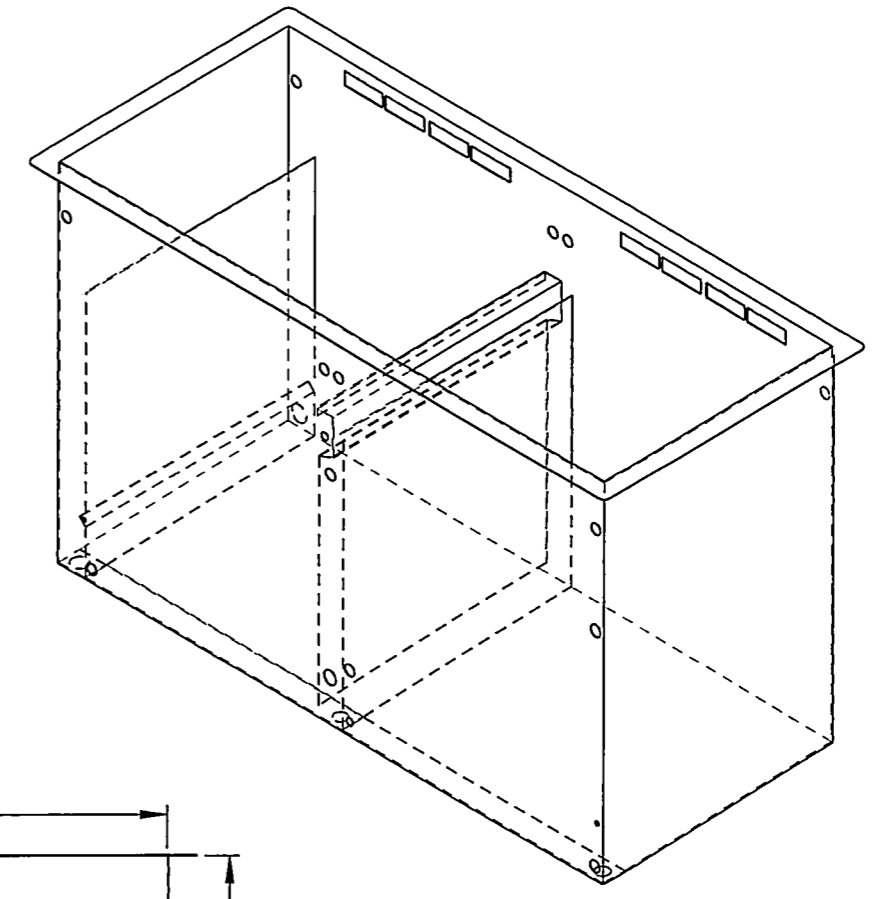
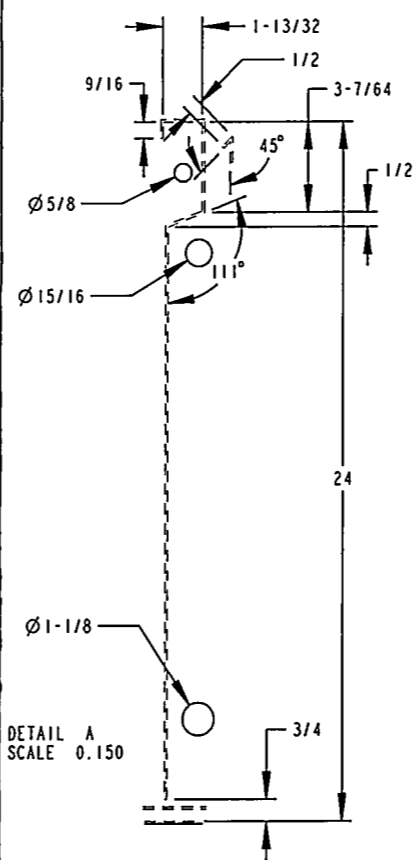
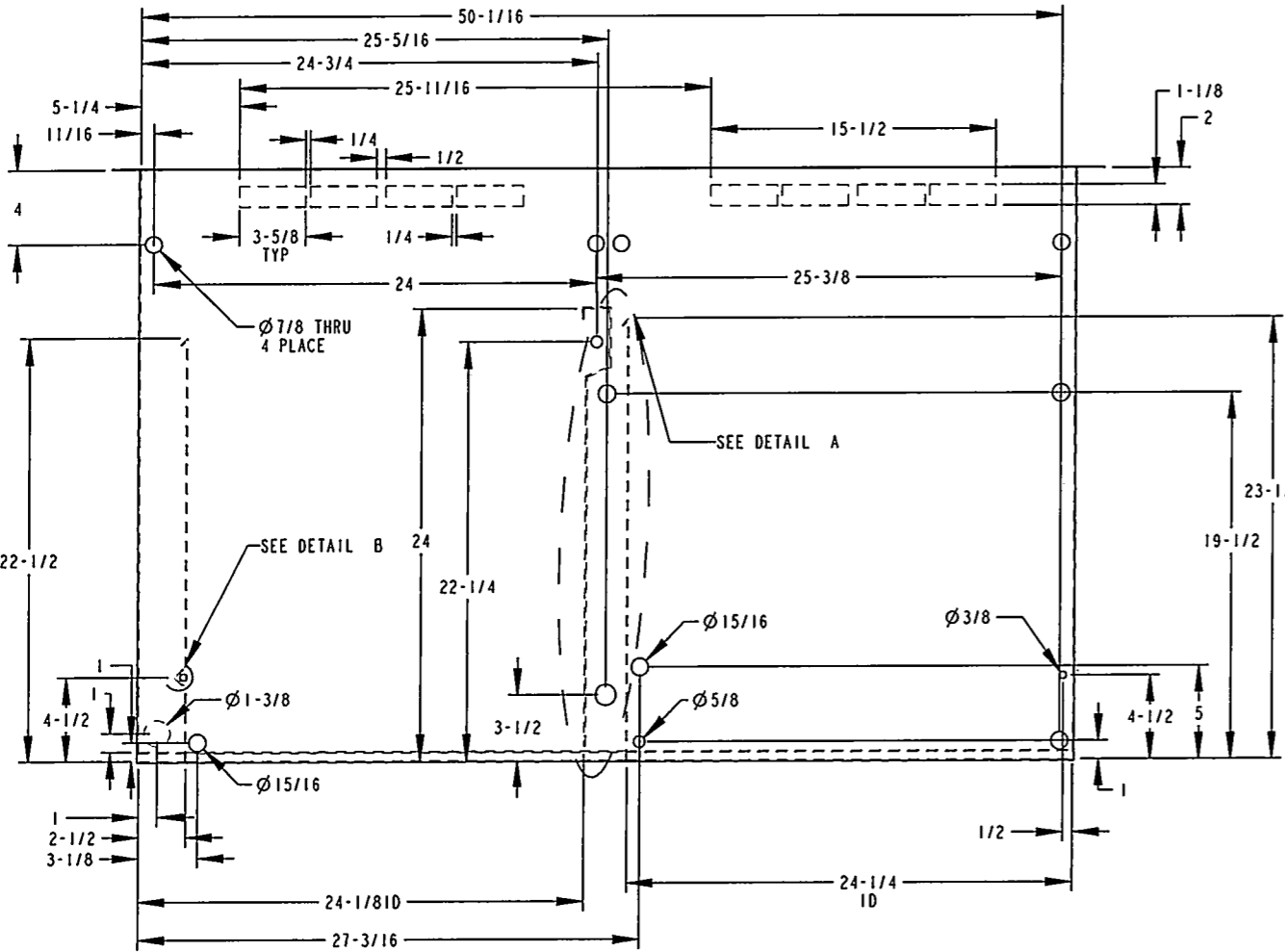
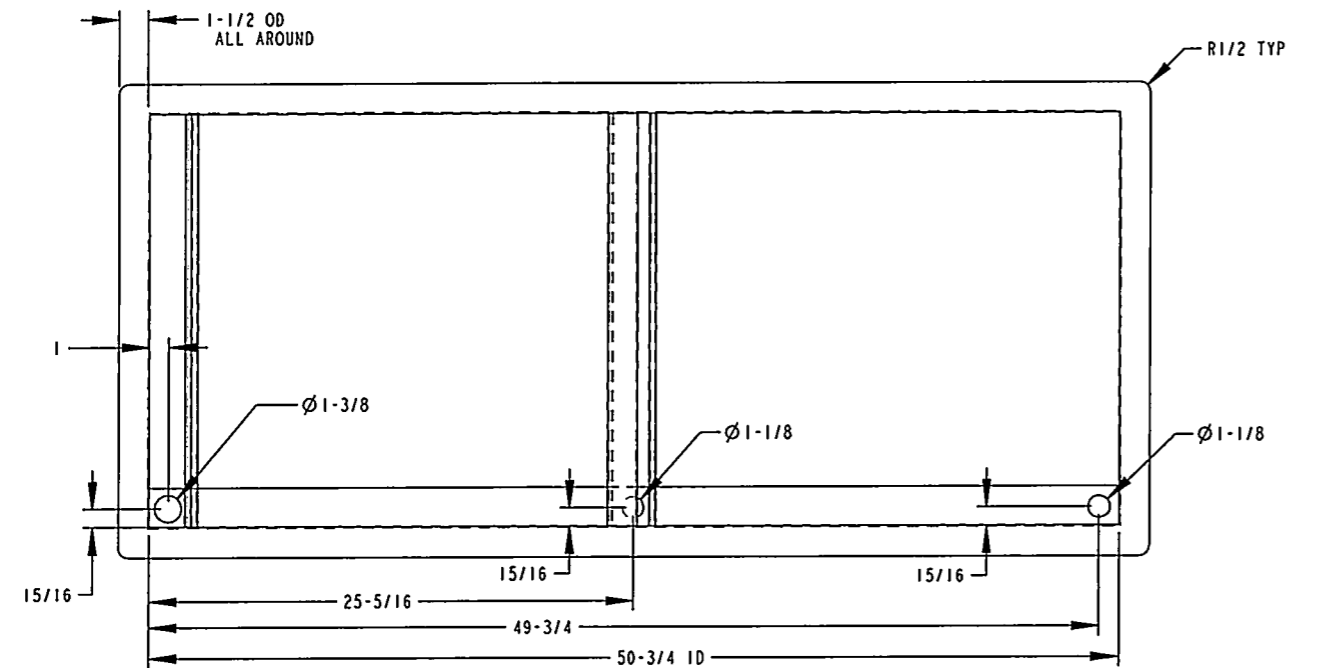
BILL OF FITTING USED

ADVANCED CERAMICS TECHNOLOGY (M) SDN. BHD.
 A CREST GROUP COMPANY
 PLOT 120 & 121, JALAN PERUSAHAAN, BUKIT TENGAH INDUSTRIAL PARK, 14000 BUKIT MERTAJAM, PENANG, MALAYSIA

OPERATION	PLACES IN DIMENSION			PROJECT EIFELER COATING	SCALE 0.08:1 PAPER SIZE A3	DESIGNED NC LEE DATE 29-SEP-2005
	.0	.00	.000			
MACHINING	±.03	±.01	±.002	MATERIAL SEE NOTES	FINISHING -	DRAWN NC LEE DATE 29-SEP-2005
CUT-OFF (SAW, BURN, SHEAR)	±.1	±.04				REVIEWED TH KAM DATE 4/10/05
FABRICATION	±.06	±.03	±.015	APPROVED TH KAM DATE 4/10/05		
WELDING	±.1	±.06		TITLE TANK - 2121 CASCADE WASH/RINSE TANK ASSY		
ANGULAR DIM	±1°			DRAWING NUMBER M4323-T-03		

THIS DRAWING IS THE PROPERTY OF ADVANCED CERAMICS TECHNOLOGY (M) SDN. BHD. IT'S USE IS AUTHORIZED ONLY FOR RESPONDING TO A REQUEST FOR QUOTATION OR FOR THE PERFORMANCE OF WORK

DATE	SYN	REVISION RECORD	AUTH	DRW	CHK



ADVANCED CERAMICS TECHNOLOGY (M) SDN. BHD.
 A CREST GROUP COMPANY

PLOT 120 & 121, JALAN PERUSAHAAN, BUKIT TENGAH INDUSTRIAL PARK, 14000 BUKIT MERTAJAM, PENANG, MALAYSIA

UNLESS OTHERWISE SPECIFIED DIMENSIONS ARE IN INCHES AND TOLERANCES ARE AS SHOWN			PROJECT EIFELER COATING	SCALE 0.10:1 PAPER SIZE A3	DESIGNED NC LEE DATE 28-SEP-2005
OPERATION	PLACES IN DIMENSION			MATERIAL 2mm 316L S/S	DRAWN NC LEE DATE 28-SEP-2005
	.0	.00	.000	FINISHING BA/2B	REVIEWED TH KAM DATE 3/10/05
MACHINING	±.03	±.01	±.002		APPROVED TH KAM DATE 3/10/05
CUT-OFF (SAW, BURN, SHEAR)	±.1	±.04			
FABRICATION	±.06	±.03	±.015		
WELDING	±.1	±.06			
ANGULAR DIM	±1°				
TITLE TANK - 2121 CASCADE WASH/RINSE TANK DETAILS.					REV.
DRAWING NUMBER M4323-T-04					